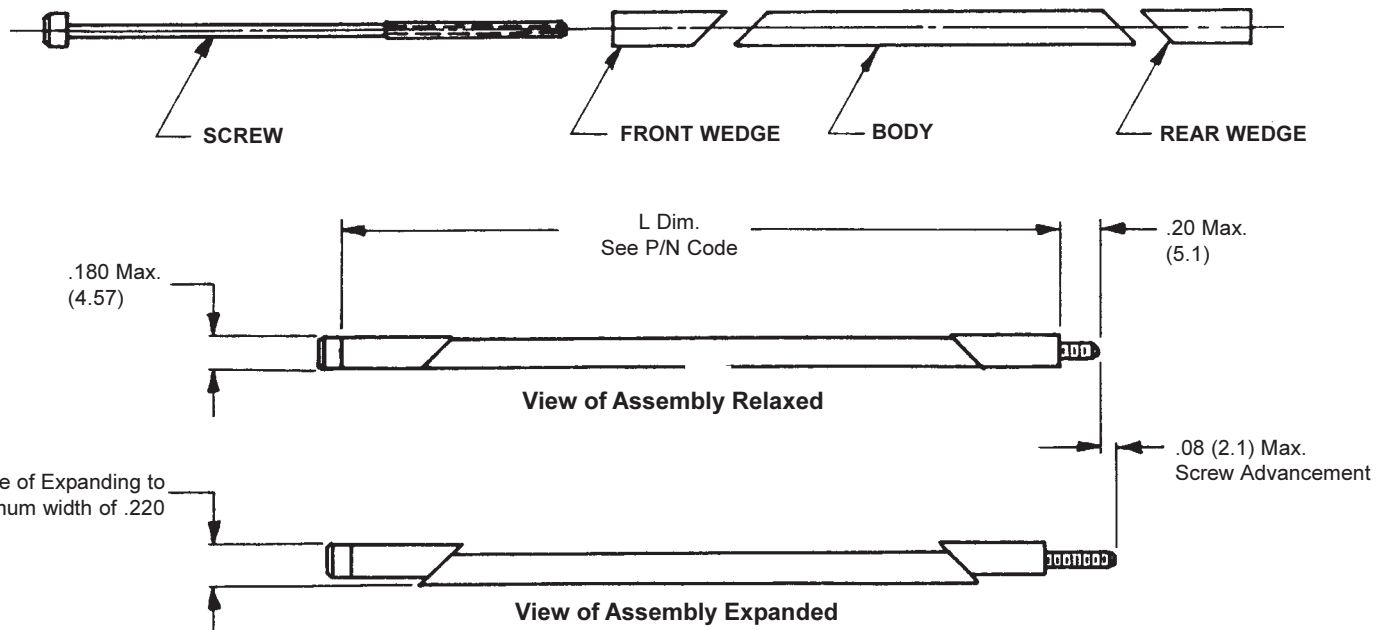


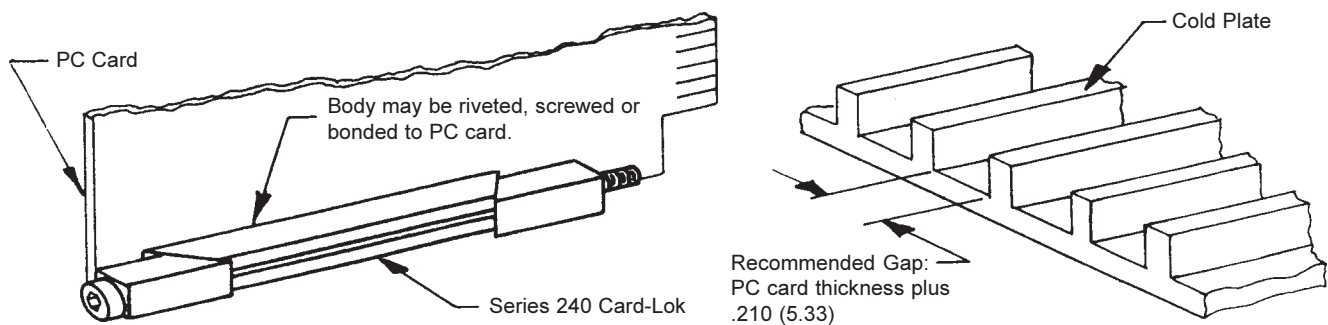
Calmark offers the Series 240 "Card-Lok" retainer for cold plate - heat exchanger applications. A narrow configuration PC card retainer that provides maximum heat sinking efficiency for high density card spacing.

FEATURES:

- **Narrow width allows minimum card spacing.**
- **Positive locking provides maximum reliability.**
- **Maximum thermal transfer.**
- **Maximum resistance to shock and vibration.**
- **Zero insertion and extraction forces.**
- **Special lengths, finishes or other design variations available on request.**



APPLICATION DATA: Recommended Torque 6 in. lbs. (68 N/cm)



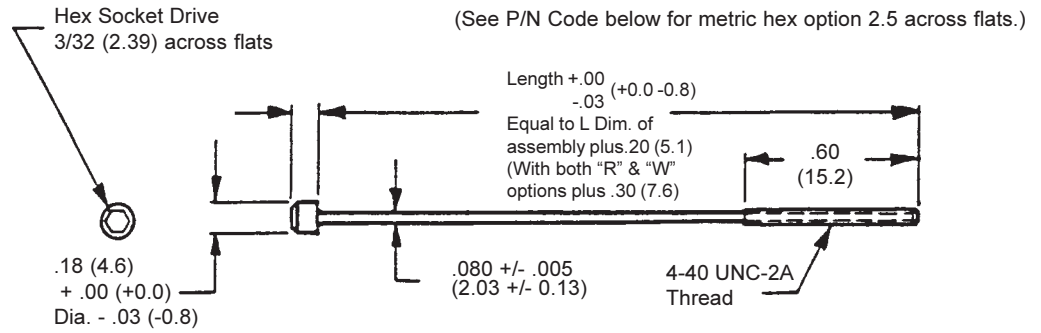
SCREW P/N 50505-Length

Material: Stainless Steel
QQ-S-763 or ASTM-A582

Finish: Passivate per MIL-S-5002

Weight: .028 oz./inch

Tolerances: .xxx = +/- .010, .xx = +/- .02
(.xx = +/- 0.25, .x = +/- 0.5)



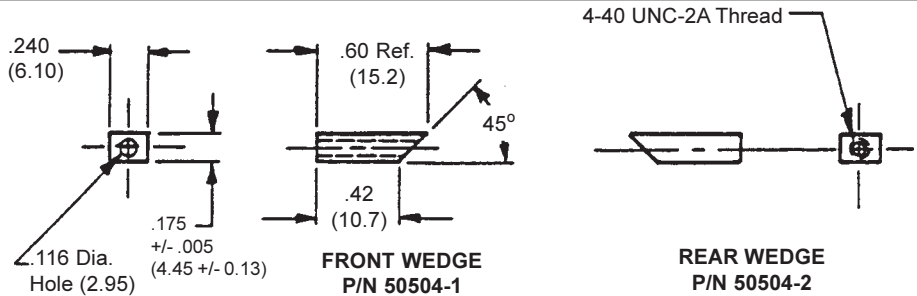
WEDGES

Material: Aluminum Alloy
6061-T6, ASTM-B221

Finish: Chemical Film per MIL-C-5541

Weight: Front Wedge: .026 oz. (0.74g)
Rear Wedge: .026 oz. (0.74g)

Tolerances: .xxx = +/- .010, .xx = +/- .02
(.xx = +/- 0.25, .x = +/- 0.5)



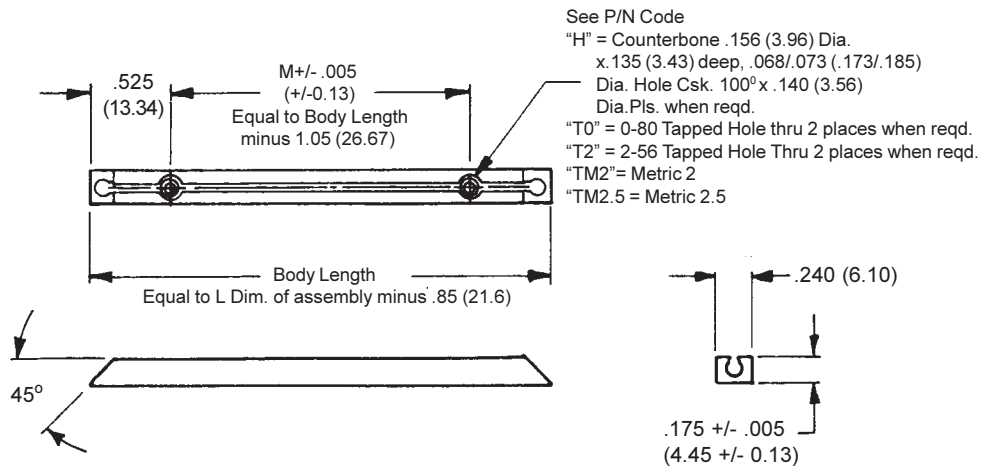
BODY P/N 50503-Length-H

Material: Aluminum Alloy
6061-T6, ASTM-B221

Finish: Chemical Film per MIL-C-5541

Weight: .041 oz./inch (0.46g/cm)

Tolerances: .xxx = +/- .010, .xx = +/- .02
(.xx = +/- 0.25, .x = +/- 0.5)



OPTIONAL DETAILS:

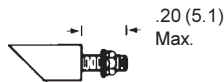
Detail "L" (Suffix)
Provides prevailing torque for resistance to loosening from shock vibration.

Lock strip per MIL-F-18240 applied to thread of screw

Detail "V" (Prefix)
Provides visual lock indicator.

NOT AVAILABLE ON SERIES 240

Detail "R" (Suffix)
Prevents unintentional disassembly of screw from rear wedge.
Suffix "R" to P/N uses and MS 21043-04 modified to .180" (4.57) max. dia.



Detail "W" (Prefix)
Provides added resistance to loosening from shock and vibration.
Prefix "W" to P/N uses an NAS1676C4 Lockwasher and Flatwasher-300 series CRES .020" (.51) thk. x .189" (4.80) O.D.



PART NO. CODE

M W V A 240 - 3.80 H L R

Finish options
No prefix = Chemical Film
"A" = Black Anodize per MIL-A-8625, Typ. I or II, C1.2
"HA" = Black hard Anodize MIL-A-8625, Type III, Class 2
"EN" = Electroless Nickel per MIL-C-26074, GR. B, CL4

Option "V" Indicates Visual-Lok Indicator. See Detail "V"

Option "W" Indicates Lockwasher & Flatwasher. See Detail "W"

Metric Hex Socket Option

Option "R" Indicates Retained Screw. see detail "R"

Option "L" Indicates Locking Patch on Screw. See detail "L"

Mounting Options. See Center Body Detail
 "H" Indicated thru holes
 "T0" Indicates 0-80 tapped holes
 "T2" Indicates 2-56 tapped holes
 "TM2" metric 2
 "TM2.5" metric 2.5

Length in decimals. Standard lengths: 2.80, 3.80 & 4.80 other lengths on request

Basic Series No. for assembly consisting of:
1ea; Screw, Front and Rear Wedge, & Body