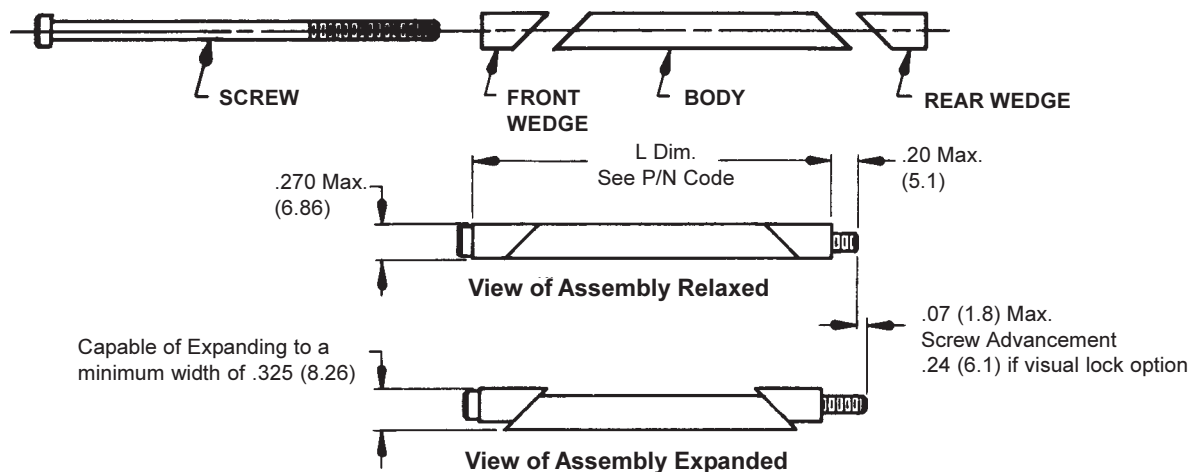


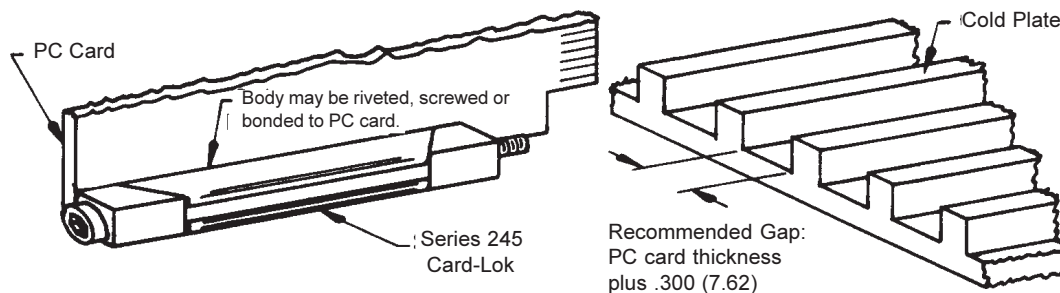
Calmark offers the Series 245 "Card-Lok" retainer for cold plate - heat exchanger applications. A maximum efficiency heat sinking PC card retainer offered to retrofit the Series 225 but uses a 6-32 screw to provide greater clamping force and load capacity.

### FEATURES:

- **Maximum Reliability**  
Screw-actuated wedge action locks PC cards in place.
- **Maximum Thermal Transfer**  
Wedge action design provides maximum contact between thermal paths on PC card and the heat sinking surface.
- **Maximum Resistance to Shock & Vibration**  
Wedge action design locks PC card in place to provide maximum resistance to shock and vibration.
- **Zero Insertion & Extraction Forces**  
Screw actuation provides zero insertion and extraction force on PC card.
- **Design Flexibility**  
Special lengths, finishes or other design variations available on request.



**APPLICATION DATA:** Recommended Torque 10 in. lbs. (1.1 N/m)



### SCREW

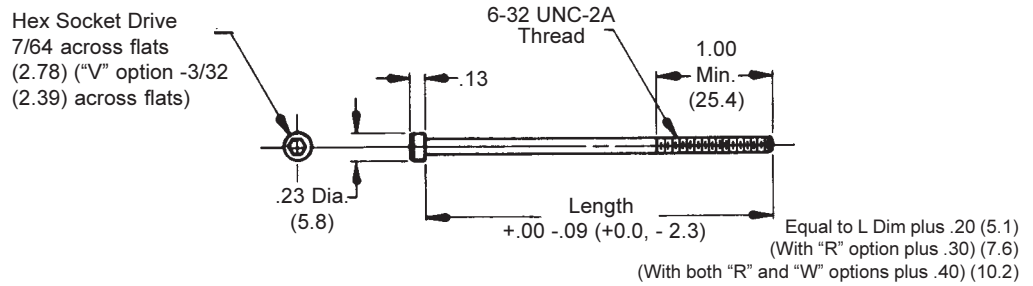
#### P/N 50871-Length

**Material:** Stainless Steel  
QQ-S-763 or ASTM-A582

**Finish:** Passivate per MIL-S-5002

**Weight:** .063 oz./inch (0.7g/cm)

**Tolerances:** .xxx = +/- .010, .xx = +/- .02  
(.xx = +/- 0.25, .x = +/- 0.5)



### WEDGES

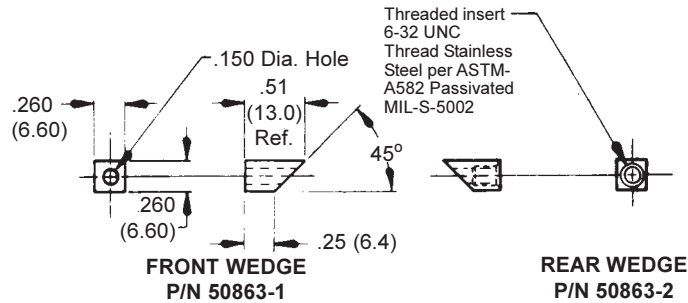
#### P/N 50863-1 and -2

**Material:** Aluminum Alloy  
6061-T6, ASTM-B221

**Finish:** Chemical Film per MIL-C-5541

**Weight:** Front Wedge: .031 oz. (0.9g)  
Rear Wedge: .045 oz. (1.3g)

**Tolerances:** .xxx = +/- .010, .xx = +/- .02  
(.xx = +/- 0.25, .x = +/- 0.5)



### BODY

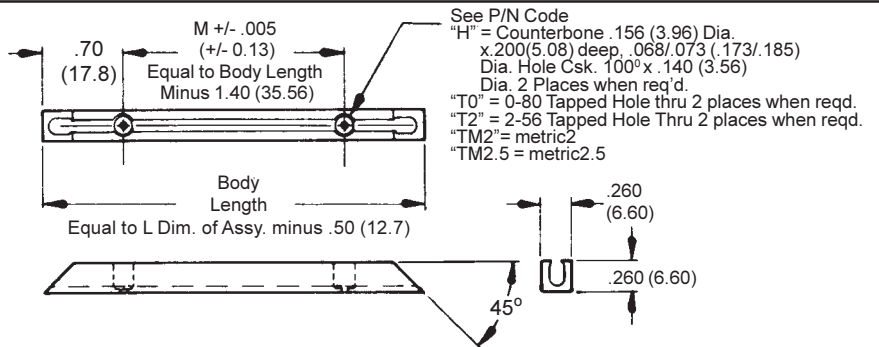
#### P/N 50870-Length-Mounting Hole Style

**Material:** Aluminum Alloy  
6061-T6, ASTM-B221

**Finish:** Chemical Film per MIL-C-5541

**Weight:** .078 oz./inch (0.87g/cm)

**Tolerances:** .xxx = +/- .010, .xx = +/- .02  
(.xx = +/- 0.25, .x = +/- 0.5)



### OPTIONAL DETAILS:

#### Detail "L" (Suffix)

Provides prevailing torque for resistance to loosening from shock vibration.



Lock strip per MIL-F-18240 applied to thread of screw

#### Detail "V" (Prefix)

Provides visual lock indicator.



Red band on head of screw exposed

**UNLOCKED**

#### Detail "R" (Suffix)

Prevents unintentional disassembly of screw from rear wedge.

Suffix "R" to P/N uses and MS 21042-06 Locknut. (For CRES uses MS21043-06)

**LOCKED**

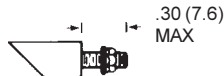
Flatwasher - Lockwasher - Screw - Front Wedge



#### Detail "W" (Prefix)

Provides added resistance to loosening from shock and vibration.

Prefix "W" to P/N uses an MS35338-136 Lockwasher and an NAS620C6 Flatwasher.



### PART NO. CODE

