

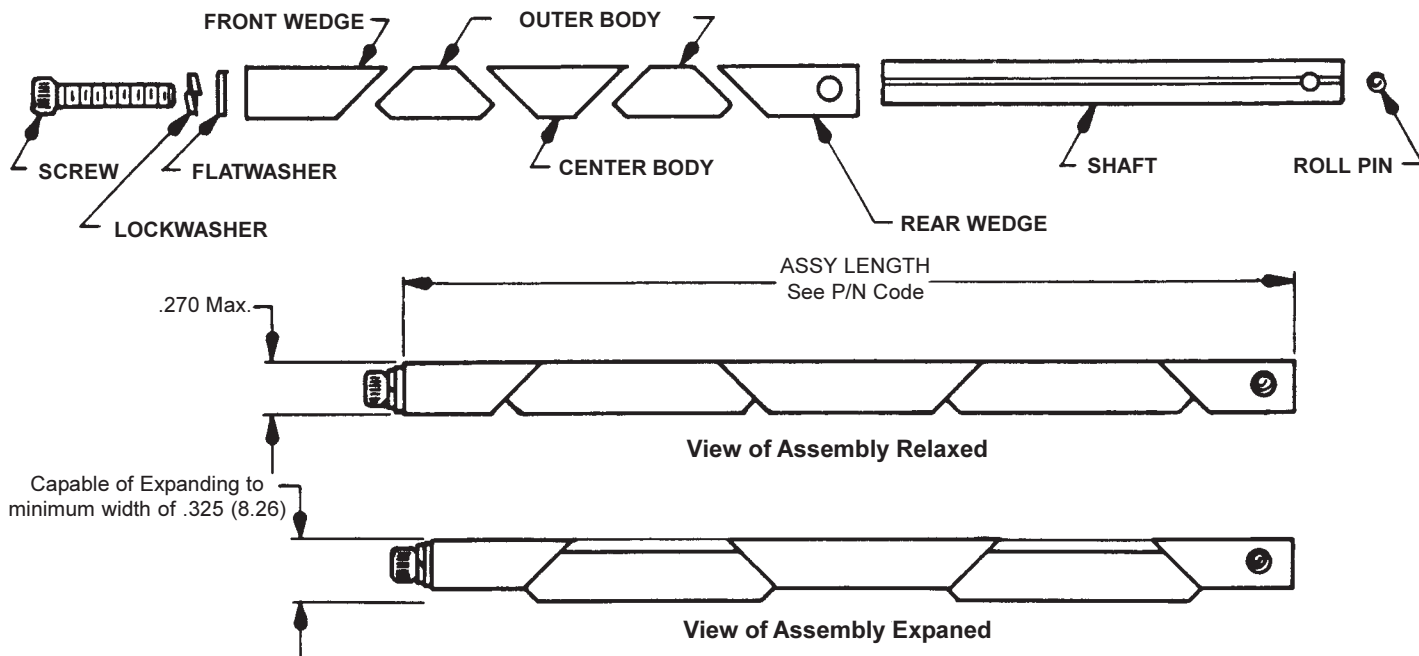
Calmark offers the new advance design Series 260 "Card-lok" retainer for cold plate/heat exchanger applications. This totally new and unique design incorporates design advancements that provide increased thermal transfer, easy insertion, lighter weight and lower costs. Conforms to DESC 89024.

**FEATURES:**

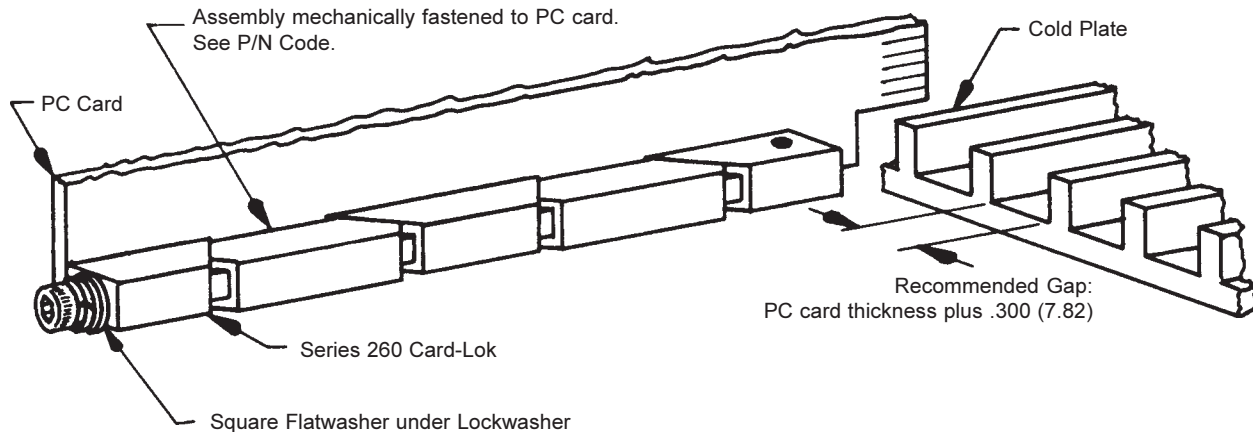
- Maximum uniform clamping force.
- Increased thermal transfer
- Maintains wedge and body alignment for easy insertion.
- Captivated rear wedge.
- Choice of screw head style.
- Dimensionally compatible with Series 225 & 245.
- Lighter weight.
- Lower cost -- Faster delivery.
- Special lengths, finishes or other design options available on request.



U.S. PATENT NO. 4,819,713  
 U.K. PATENT NO. 2,211,546  
 ISRAEL PATENT NO. 86120  
 GERMAN PATENT NO. 3890343



**APPLICATION DATA:** Recommended Torque -- 6in. lbs (68 N/cm)  
 Weight of Assembly -- Assembly length x .085oz. (2.41g)



### HARDWARE

<b>Screw</b>	NAS1352CO4-10 4-40 socket head cap screw (2.36) 3/32 HEX	<b>Roll Pin</b> - MS39086-125	Optional metric M3 screw 300 Series Stainless Steel PASSIVATE 2.5mm across flats.
<b>Lockwasher</b>	MS35338-135		
<b>Flatwasher</b>	P/N 51035 304 Series CRES per ASTM-A240 (.260"sq., .115" I.D. x .048"thk.) (6.60sq., 2.92 I.D. x 1.22thk.) Passivate per MIL-S-5002.		

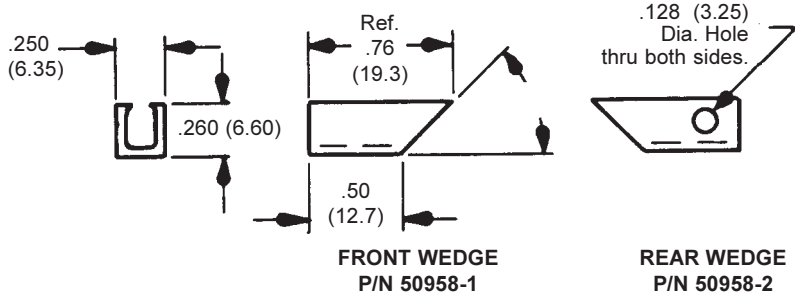
### WEDGES

**P/N 50958-1 (FRONT)**  
**P/N 50958-2 (REAR)**

**MATERIAL:** Aluminum Alloy  
6061-T6 per ASTM-B221

**FINISH:** Chemical Film  
per MIL-C-5541, Cl. 3

**TOLERANCES:** .xxx = +/- .010, .xx = +/- .02  
(.xx=+/- 0.25, .x= +/- 0.5)



### BODIES

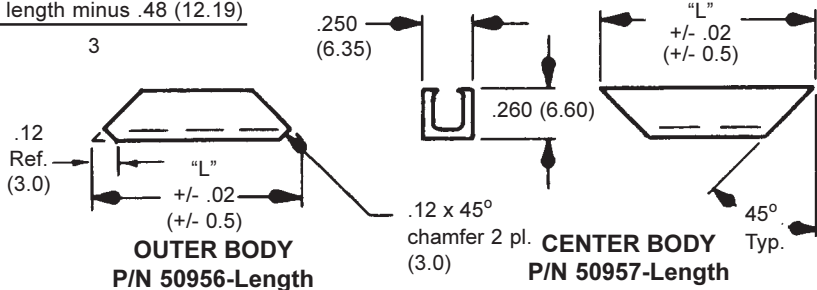
"L" Dim. =  $\frac{\text{Assy. length minus .48 (12.19)}}{3}$

**P/N 50956-Length (OUTER)**  
**P/N 50957-Length (CENTER)**

**MATERIAL:** Aluminum Alloy  
6061-T6 per ASTM-B221

**FINISH:** Chemical Film  
per MIL-C-5541, Cl. 3

**TOLERANCES:** .xxx = +/- .010, .xx = +/- .02  
(.xx=+/- 0.25, .x= +/- 0.5)



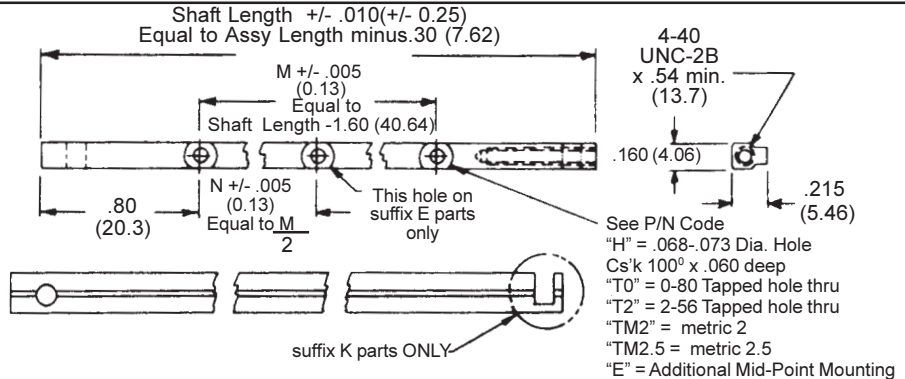
### SHAFT

**P/N 50959-Length-Mounting Hole Style**

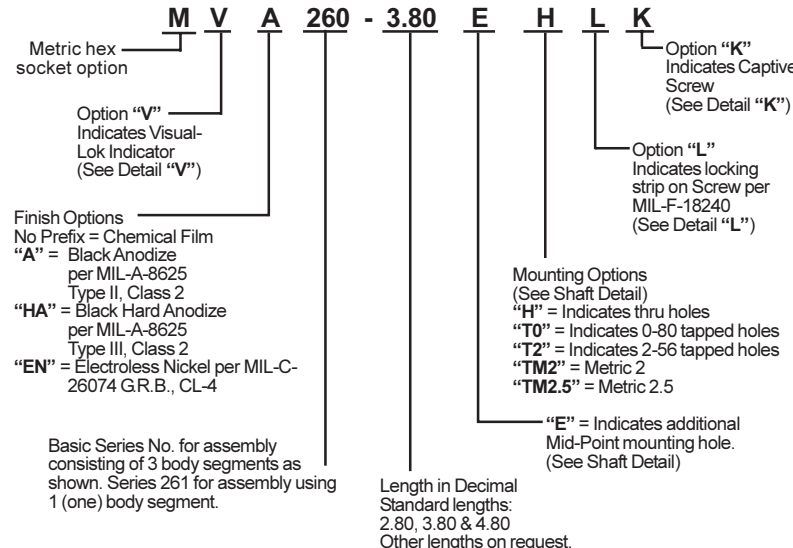
**MATERIAL:** Aluminum Alloy  
6061-T6 per ASTM-B221

**FINISH:** Chemical Film  
per MIL-C-5541, Cl. 3

**TOLERANCES:** .xxx = +/- .010, .xx = +/- .02  
(.xx=+/- 0.25, .x= +/- 0.5)

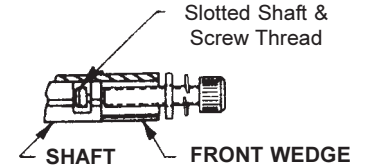


### PART NO. CODE

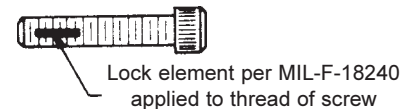


### OPTIONAL DETAILS

**DETAIL "K" (suffix)**  
provides captive screw



**DETAIL "L" (suffix)**  
provides prevailing torque for resistance to loosening from shock and vibration



**DETAIL "V" (prefix)**  
provides visual lock indicator

