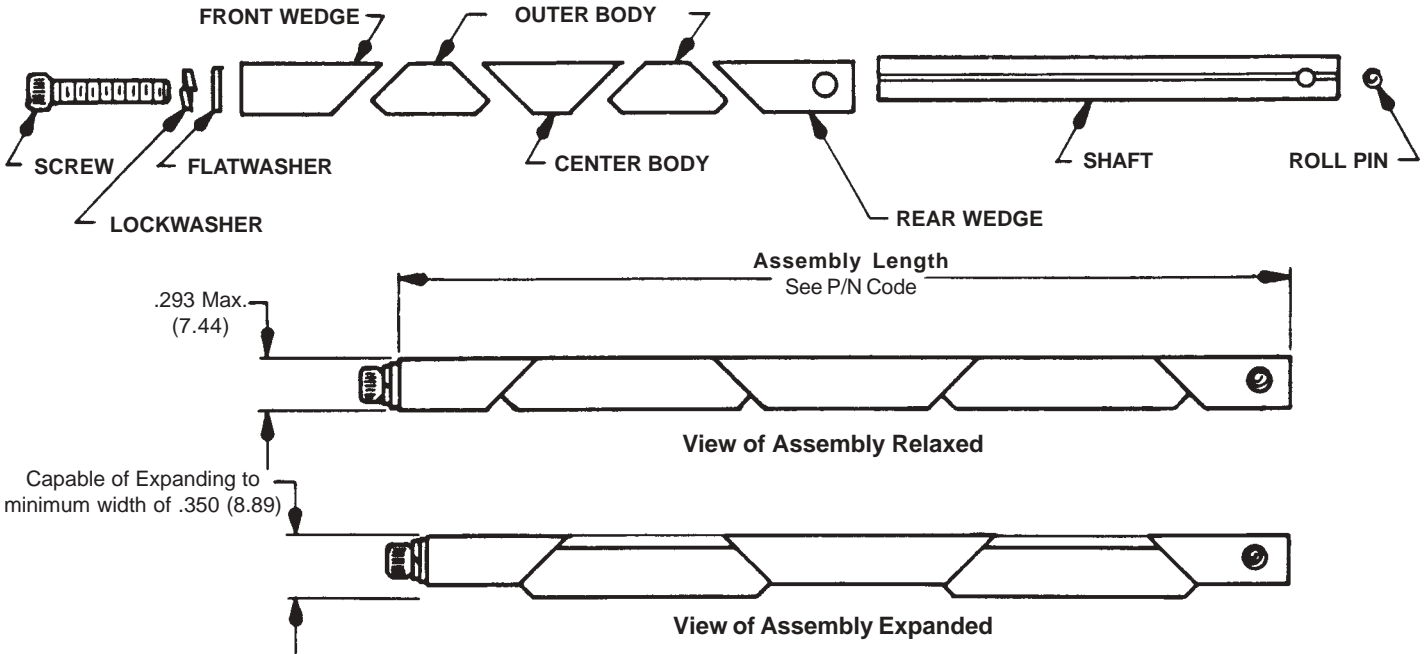


Calmark offers the new Series 263 "Card-Lok" Retainer for cold-plate, heat exchanger applications. This new "Card-Lok" configuration offers a larger cross sectional profile for increased clamping force and thermal transfer.

- FEATURES:**
- *Maximum uniform clamping force.*
 - *Increased thermal transfer*
 - *Maintains wedge and body alignment for easy insertion.*
 - *Captivated rear wedge.*
 - *Choice of screw head style.*
 - *Lighter weight.*
 - *Lower cost -- Faster delivery.*
 - *Special lengths, finishes or other design options available on request.*



U.S. PATENT NO. 4,819,713
 U.K. PATENT NO. 2,211,546
 ISRAEL PATENT NO. 86120
 GERMAN PATENT NO. 3890343



APPLICATION DATA:
 Recommended Torque -- 6 in-lbs (68 N-cm)
 If Lock Element option add 1 to 2 in-lbs (11 to 22 N-cm)
 Weight of Assembly -- Assembly length x .096 oz (2.72g)

