

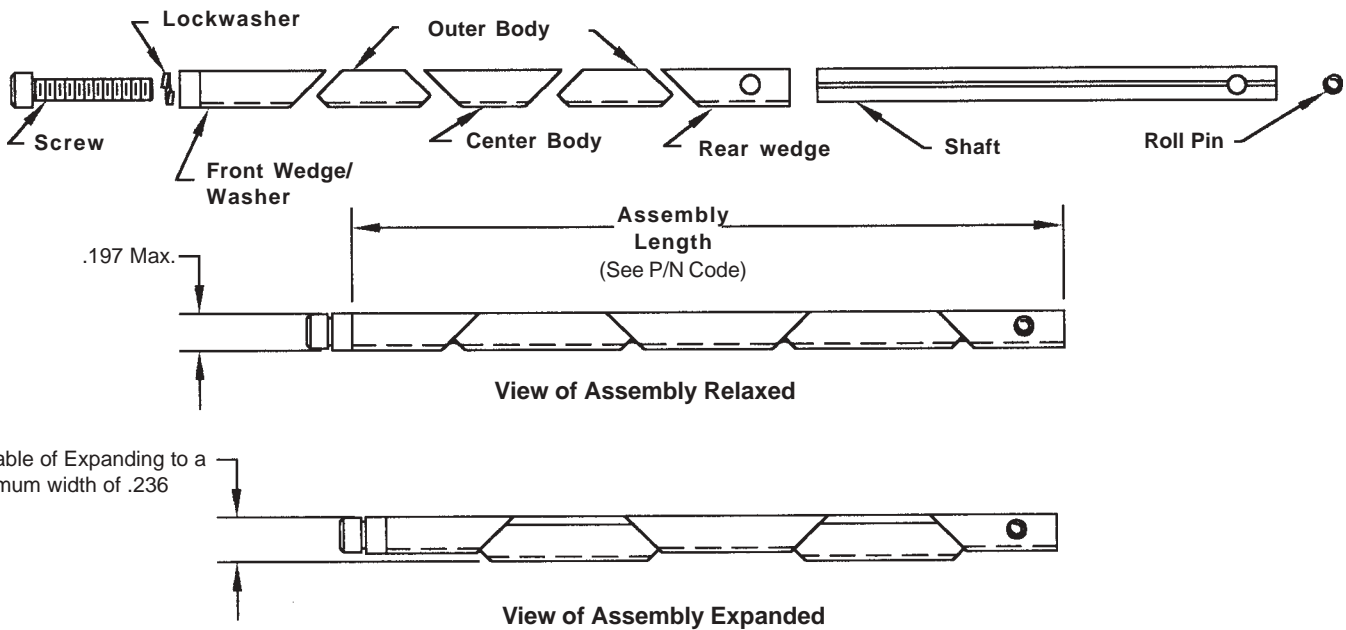
Calmark offers the new narrow configuration Series 267 "Card-Lok" Retainer for cold-plate, heat exchanger applications. This new design features narrowest cross sectional size in addition to optimum thermal transfer, easy insertion, lighter weight and now closer center to center board spacing.

FEATURES

- *Narrow design permits closer board spacing.*
- *Maximum uniform clamping force.*
- *Increased thermal transfer.*
- *Maintains wedge and body alignment for easy insertion.*
- *Captivated rear wedge.*
- *Choice of screw head style.*
- *Lighter weight.*
- *Lower cost - Faster delivery.*
- *Special lengths, finishes, or other design option available on request.*

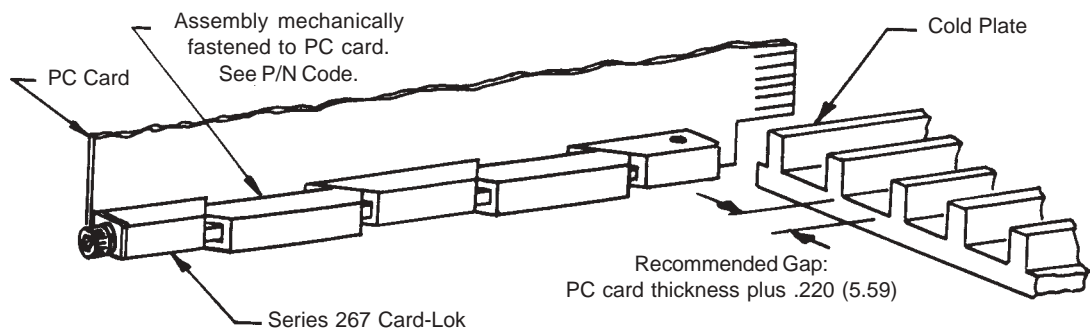


U.S. PATENT NO. 4,819,713
U.K. PATENT NO. 2,211,546
ISRAEL PATENT NO. 86120
GERMAN PATENT NO. 3890343



APPLICATION DATA:

Recommended Torque 6 in-lbs. (68 N-cm)
If Locking Element option add 1 to 2 in-lbs (11 to 22 N-cm)
Weight of Assembly = Assembly length x .067 oz.



HARDWARE: **Screw:** 4-40 socket head cap screw, 3/32 Hex (2.36)
300 Series Stainless Steel per ASTM-A582
Passivated per Mil-S-5002

(Optional metric M3 screw, 2.5mm Hex
Passivated Stainless Steel)

Lockwasher: MS35338-135
Flatwasher: P/N 51061 (bonded to front wedge)
304 Series CRES per ASTM-A240
Passivated per MIL-S-5002

Roll Pin: MS39086-125

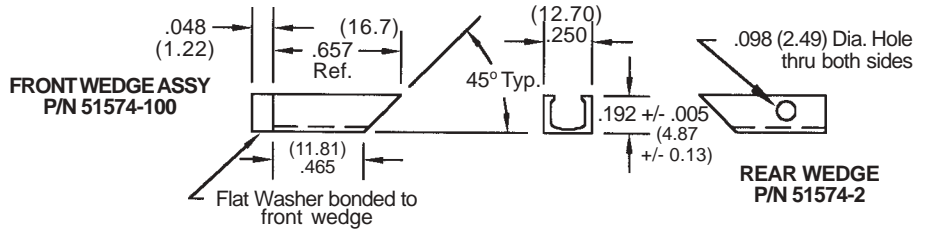
WEDGES

P/N 51574-100 (FRONT)
P/N 51574-2 (REAR)

Material: Aluminum Alloy
6061-T6 per ASTM-B221

Finish: See Part No. Code

Tolerances: .xxx = +/- .010, .xx = +/- .02
(.xx = +/- 0.25, .x = +/- 0.5)



BODIES

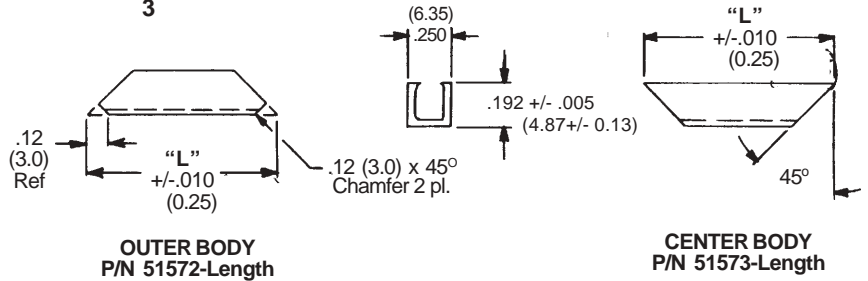
P/N 51572-Length (OUTER)
P/N 51573-Length (CENTER)

Material: Aluminum Alloy
6061-T6 per ASTM-B221

Finish: See Part No. Code

Tolerances: .xxx = +/- .010, .xx = +/- .02
(.xx = +/- 0.25, .x = +/- 0.5)

"L" Dimension = $\frac{\text{Assembly Length minus .55}}{3}$



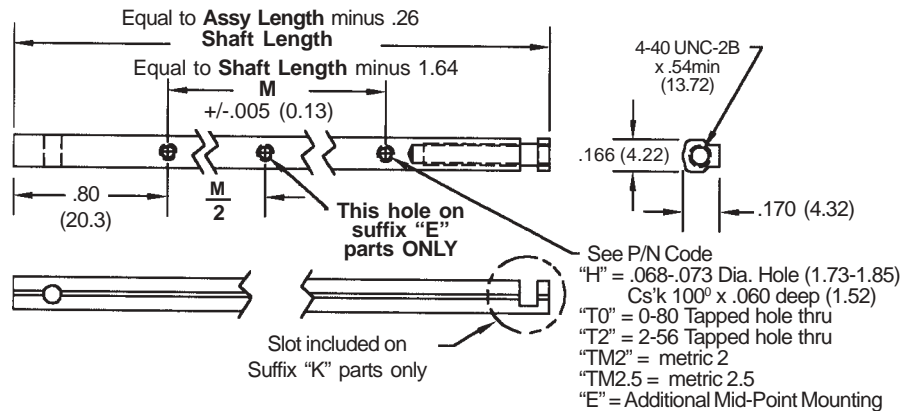
SHAFT

P/N 51575 - Length - Mounting Hole Style

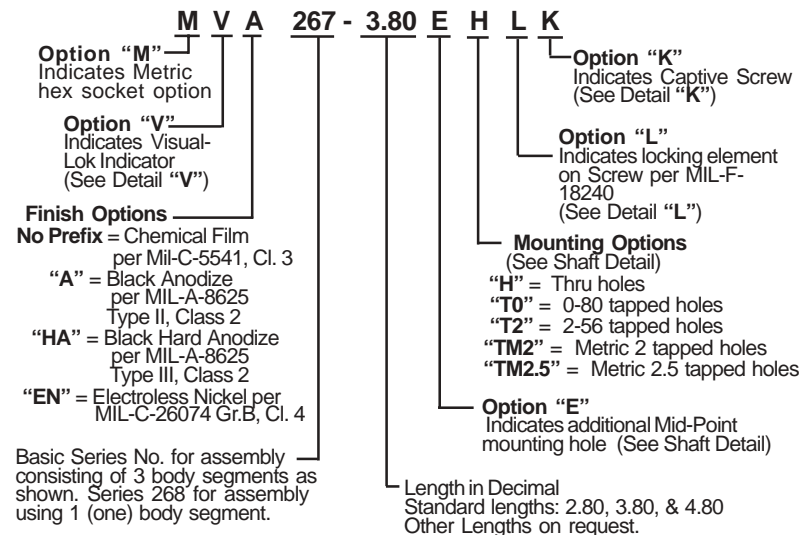
Material: Aluminum Alloy
7075-T6 per ASTM-B221

Finish: See Part No. Code

Tolerances: .xxx = +/- .010, .xx = +/- .02
(.xx = +/- 0.25, .x = +/- 0.5)

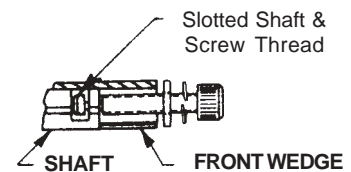


PART NO. CODE

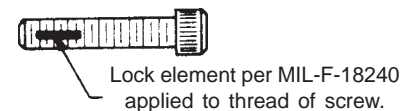


OPTIONAL DETAILS

DETAIL "K" (suffix) provides captive screw



DETAIL "L" (suffix) provides prevailing torque for resistance to loosening from shock and vibration



DETAIL "V" (prefix) provides visual lock indicator

