

## Hall Effect Current Transformer Panel Mounting Type HT300M



---

The HT300M is a closed loop Hall Effect Current Transformer which is suitable for Panel Mounting. Provision is made for the primary conductor to be threaded through a single hole. Rated for 300A continuous operation, it offers high accuracy and bandwidth and high electrical isolation. The unit is UL listed, File No. E189118.

---

### Features

- Robust Package
- 7kV Proof Stress
- $\pm 12$  to  $\pm 15$ V supplies
- Fast Response
- D.C. Coupled Design

### Applications

- Variable Speed Drives
- UPS Systems
- Welding Equipment

### Benefits

- No Insertion Loss
- Useable with Bare Primary Conductors
- No Shunt Resistor Required
- No Switching Noise
- Built in Semiconductor Protection
- High Reliability

- Power System Monitoring
- Overcurrent Protection
- Traction Systems

## TECHNICAL DATA

Nominal Primary Current	300A
Turns Ratio	2500:1
Nominal Power Supply	$\pm 12V -5\%$ to $\pm 15V +5\%$
Supply Current	25mA per rail + output current
Minimum Burden Resistance	11 $\Omega$
Operating Temperature Range	-10 to +85°C
Storage Temperature Range	-40°C to +90°C

## SPECIFICATION

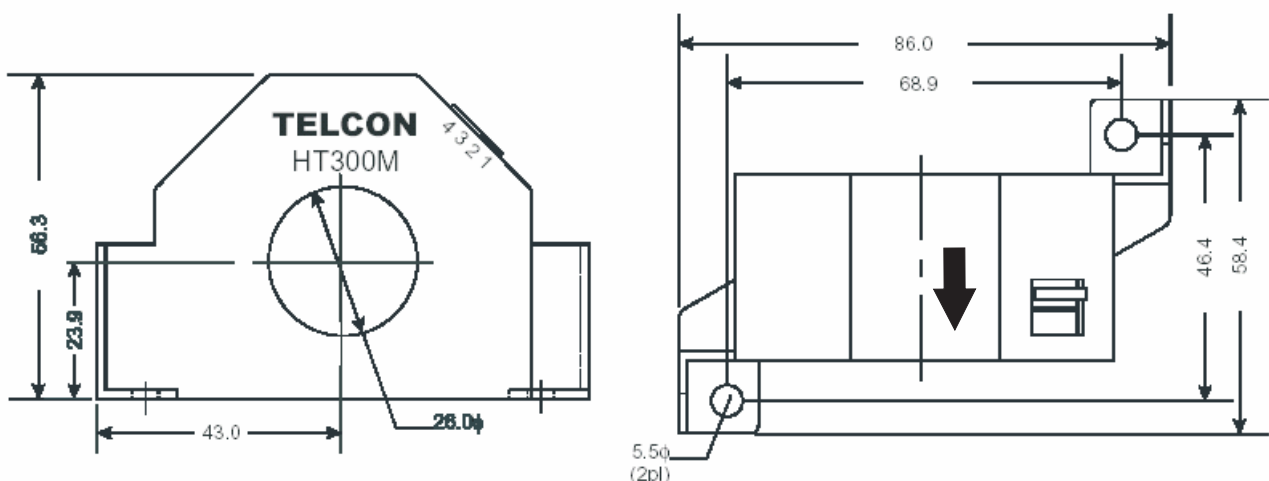
Linearity	0.1% of nominal primary current.
Limit of Linearity (see Note 1)	$\pm 800A$ peak value
Overall Accuracy	0.65% of nominal primary current
Output Offset Current	$< \pm 150\mu A$ at primary current = 0A
Output Offset Current After Overload	$< \pm 250\mu A$ at primary current = 0A
Zero Offset/Temperature	$< 2\mu A/^{\circ}C$
Zero Offset/Supply Variation	$< 5\mu A/V$
Coil resistance	30 $\Omega$ at 25°C
Bandwidth	DC to 70kHz at -1dB, DC to 115kHz at -3dB
di/dt following	$> 100A/\mu s$
Delay Time	$< 0.5\mu s$
Proof Stress Voltage	7kV a.c., rms for 1 minute
Creepage Distance	14 mm min
Clearance Distance	14 mm min

## GENERAL DATA

Weight	110g
Housing Material	Modified PPO Flammability Rating UL94 V0
Connector	Molex 5046-04/AG
Signal Sense	A positive output is obtained across the burden when current flows in the direction of the arrow.

Note 1: At maximum ambient temperature and supply voltage, The duration of overload currents should not exceed 2 minutes in any 15 minute period

## DIMENSIONS



Pin-out	1: +15V	2: 0/P
	3: -15V	4: N/C