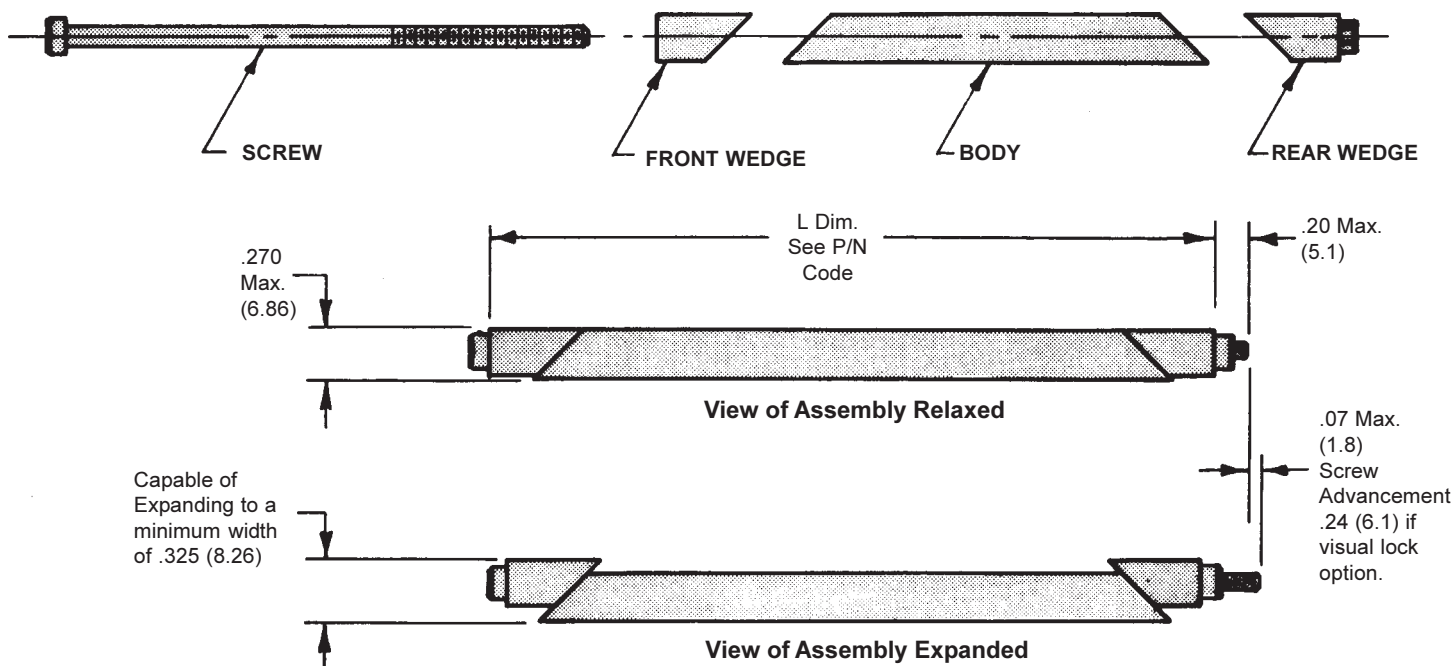
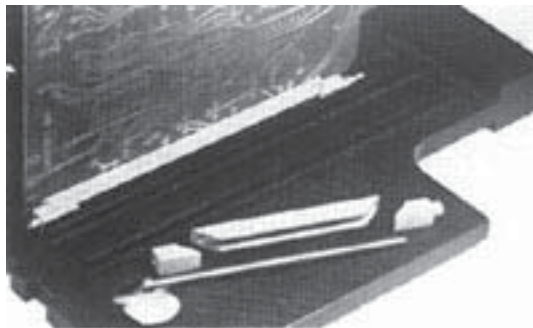


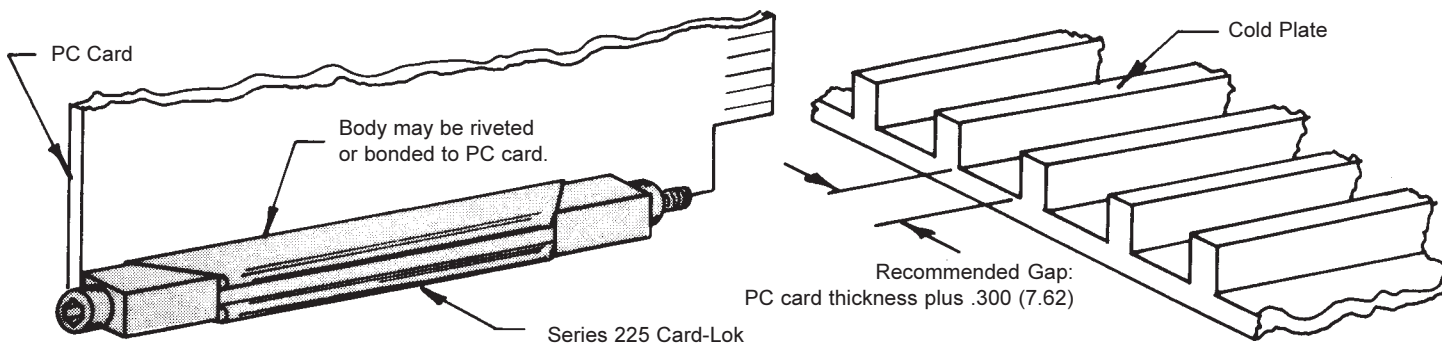
Calmark offers the Series 225 "Card-Lok" Retainer for cold plate-heat exchanger applications. A maximum efficiency heat sinking PC card retainer offered for the first time at an economical price.

**FEATURES:**

- **Maximum Reliability**  
Screw-actuated wedge action locks PC cards in place.
- **Maximum Thermal Transfer**  
Wedge action design provides maximum contact between thermal paths on PC card and the heat sinking surface.
- **Maximum Resistance to Shock & Vibration**  
Wedge action design locks PC card in place to provide maximum resistance to shock and vibration.
- **Zero Insertion & Extraction Forces**  
Screw actuation provides zero insertion and extraction force on PC card.
- **Design Flexibility**  
Special lengths, finishes or other design variations available on request.



**APPLICATION DATA:** Recommended Torque - 6 in. lbs. (68 N-cm)



**SCREW**

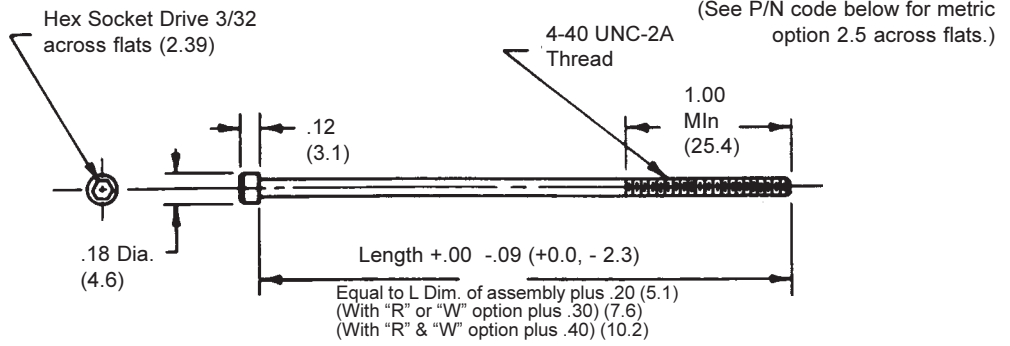
**P/N 50253-Length**

**Material:** Stainless Steel  
QQ-S-763 or ASTM-A582

**Finish:** Passivate per MIL-S-5002  
AMS-QQ-P35, ASTM -A967

**Weight:** .043 oz./inch (0.48g/cm)

**Tolerances:** .xxx = +/- .010, .xx = +/- .02  
(.xx = +/-0.25, .x = +/-0.5)



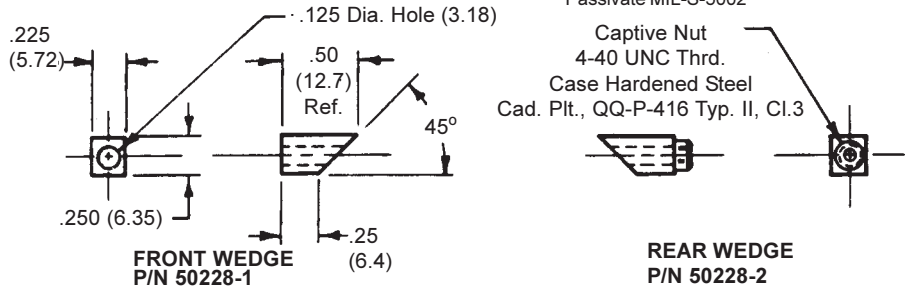
**WEDGES**

**Material:** Aluminum Alloy  
6061-T6, QQ-A-200/8  
ASTM-B221

**Finish:** Chemical Film per MIL-C-5541

**Weight:** Front Wedge: .027 oz. (0.77g)  
Rear Wedge: .041 oz. (1.16g)

**Tolerances:** .xxx = +/- .010, .xx = +/- .02  
(.xx = +/-0.25, .x = +/-0.5)



**BODY**

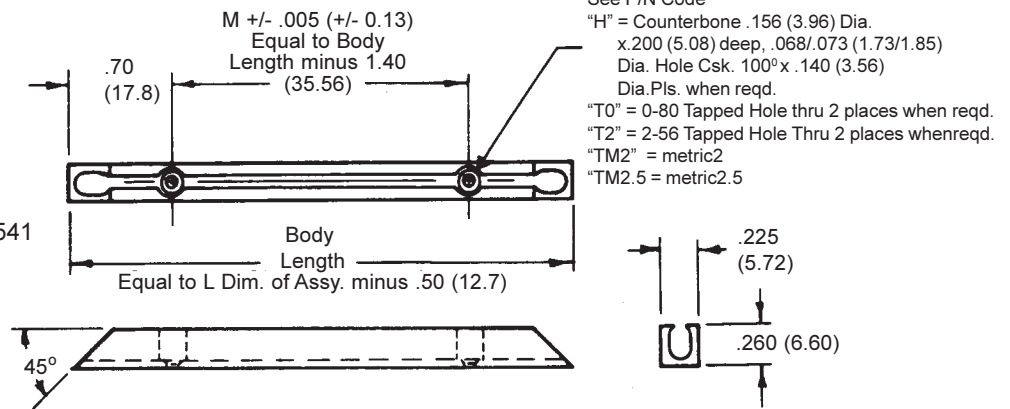
**P/N 50227-Length-H**

**Material:** Aluminum Alloy  
6061-T6, QQ-A-200/8  
ASTM-B221

**Finish:** Chemical Film per MIL-C-5541

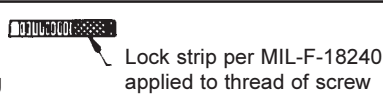
**Weight:** .060 oz./inch (0.67g/cm)

**Tolerances:** .xxx = +/- .010, .xx = +/- .02  
(.xx = +/-0.25, .x = +/-0.5)

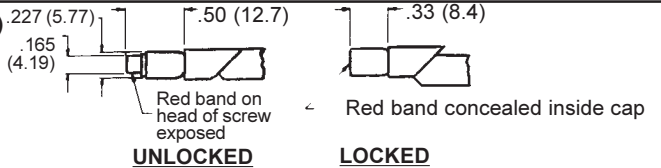


**OPTIONAL DETAILS:**

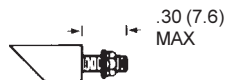
**Detail "L" (Suffix)**  
Provides prevailing torque for resistance to loosening from shock vibration.



**Detail "V" (Prefix)**  
Provides visual lock indicator.



**Detail "R" (Suffix)**  
Prevents unintentional disassembly of screw from rear wedge.  
Suffix "R" to P/N uses an MS 21042-04 Locknut. For CRES uses MS21043-04 and .10 (2.54) longer screw.



**Detail "W" (Prefix)**  
Provides added resistance to loosening from shock and vibration.  
Prefix "W" to P/N uses an MS35338-135 Lockwasher and an NAS620C4 Flatwasher, and .10 (2.54) longer screw.



**PART NO. CODE**

