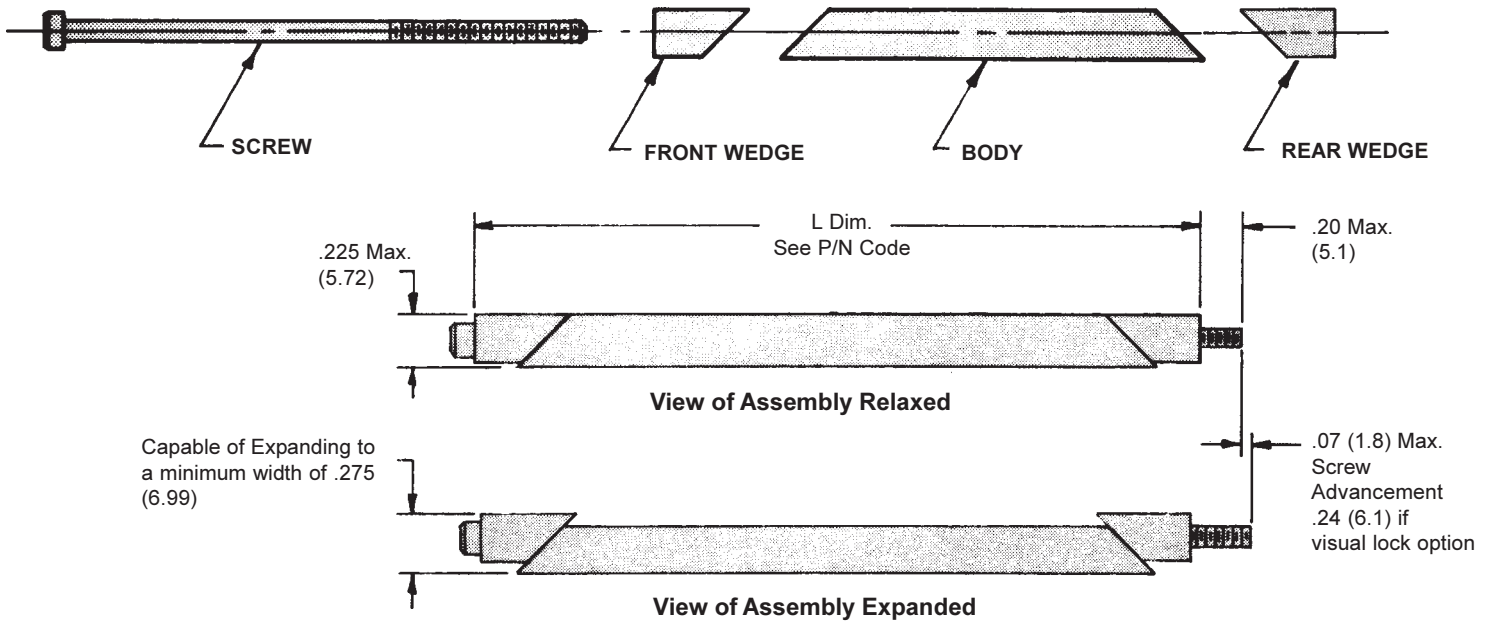


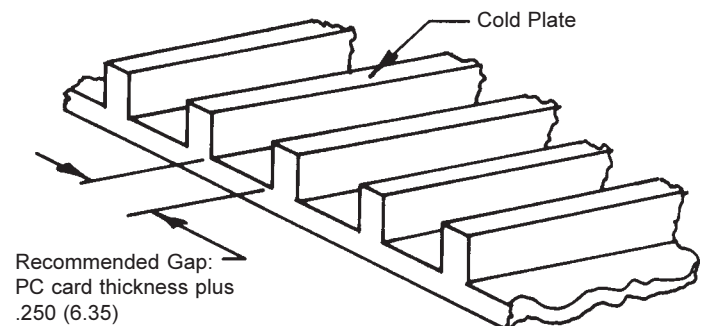
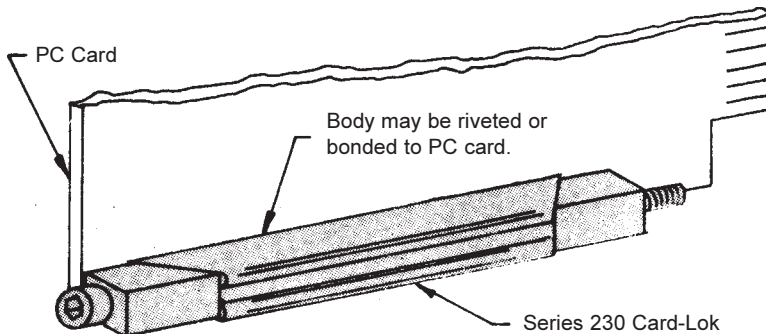
Calmark offers the Series 230 "Card-Lok" retainer for cold plate - heat exchanger applications. A mid-width configuration, to meet PC card retainer requirements between the Series 225 and 240.

FEATURES:

- **Maximum Reliability**
Screw-actuated wedge action locks PC cards in place.
- **Maximum Thermal Transfer**
Wedge action design provides maximum contact between thermal paths on PC card and the heat sinking surface.
- **Maximum Resistance to Shock & Vibration**
Wedge action design locks PC card in place to provide maximum resistance to shock and vibration.
- **Zero Insertion & Extraction Forces**
Screw actuation provides zero insertion and extraction force on PC card.
- **Design Flexibility**
Special lengths, finishes or other design variations available on request.



APPLICATION DATA: Recommended Torque 6 in. lbs. (68 N/cm)



SCREW

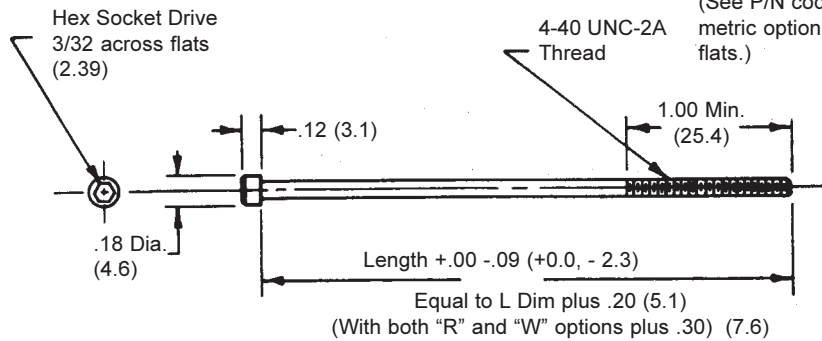
P/N 50253-Length

Material: Stainless Steel
QQ-S-763 or ASTM-A582

Finish: Passivate per MIL-S-5002

Weight: .043 oz./inch (0.48g/cm)

Tolerances: .xxx = +/- .010, .xx = +/- .02
(.xx = +/- 0.25, .x = +/- 0.5)



(See P/N code below for metric option 2.5 across flats.)

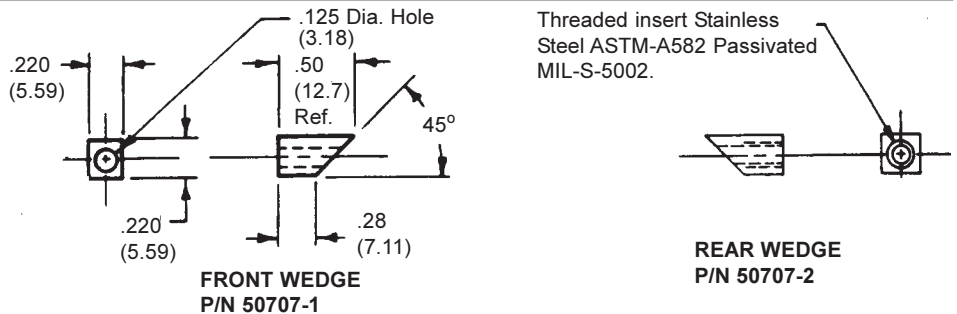
WEDGES

Material: Aluminum Alloy
6061-T6, ASTM-B221

Finish: Chemical Film per MIL-C-5541

Weight: Front Wedge: .027 oz. (0.77g)
Rear Wedge: .041 oz. (1.16g)

Tolerances: .xxx = +/- .010, .xx = +/- .02
(.xx = +/- 0.25, .x = +/- 0.5)



BODY

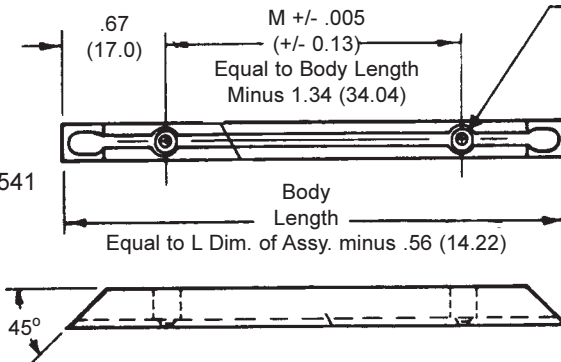
P/N 50227-Length-H

Material: Aluminum Alloy
6061-T6, ASTM-B221

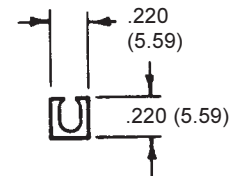
Finish: Chemical Film per MIL-C-5541

Weight: .060 oz./inch (0.67g/cm)

Tolerances: .xxx = +/- .010, .xx = +/- .02
(.xx = +/- 0.25, .x = +/- 0.5)



See P/N Code
"H" = Counterbore .156 (3.96) Dia.
x .160 (4.06) deep, .068 / .073 (.173 / .185)
Dia. Hole Csk. 100° x .140 (3.56)
Dia. Pls. when reqd.
"T0" = 0-80 Tapped Hole thru 2 places when reqd.
"T2" = 2-56 Tapped Hole Thru 2 places when reqd.
"TM2" = metric2
"TM2.5" = metric2.5



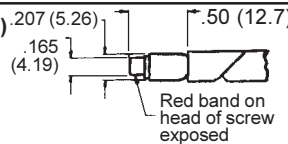
OPTIONAL DETAILS:

Detail "L" (Suffix)
Provides prevailing torque for resistance to loosening from shock vibration.



Lock strip per MIL-F-18240 applied to thread of screw

Detail "V" (Prefix)
Provides visual lock indicator.



UNLOCKED



LOCKED

Detail "R" (Suffix)
Prevents unintentional disassembly of screw from rear wedge.
Suffix "R" to P/N uses an MS 21042-04 Locknut. (For CRES uses MS21043-04)



Detail "W" (Prefix)
Provides added resistance to loosening from shock and vibration.
Prefix "W" to P/N uses an MS35338-135 Lockwasher and an NAS620C4 Flatwasher.



PART NO. CODE

