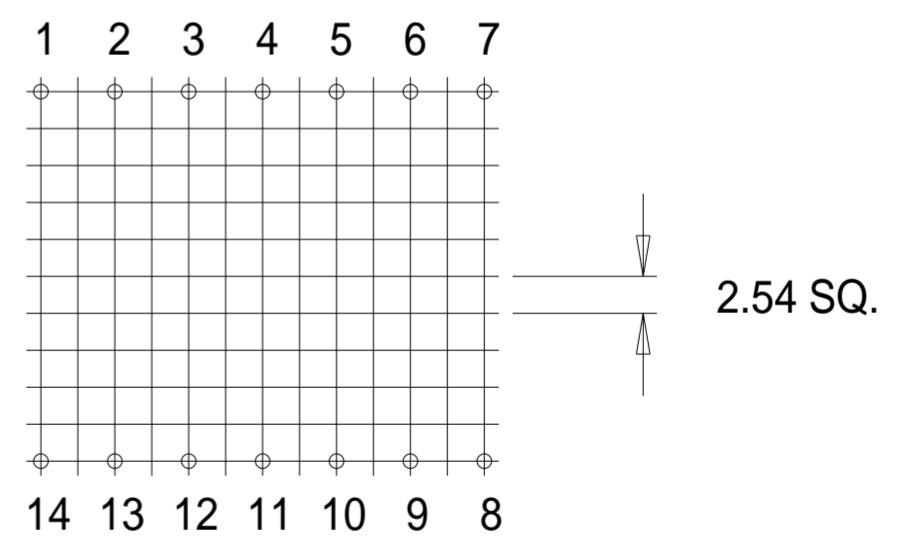
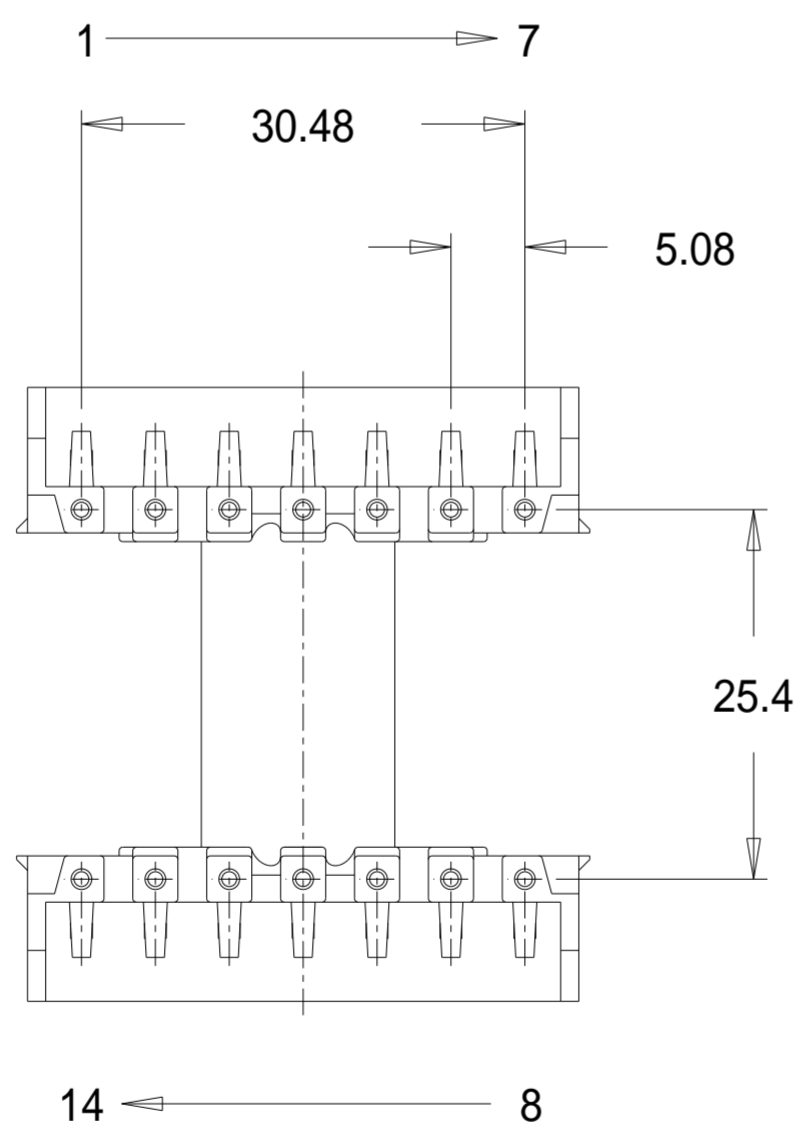
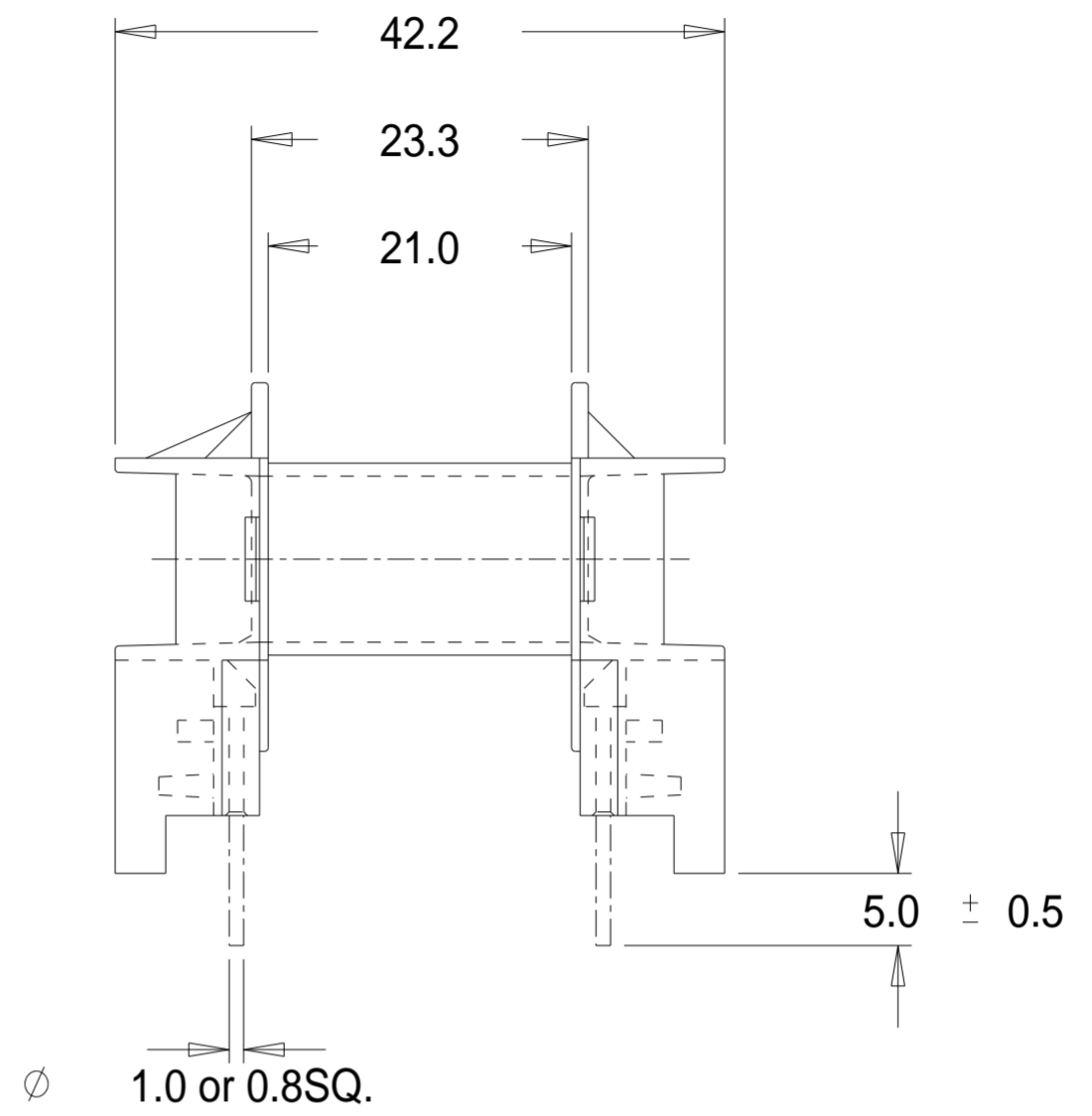
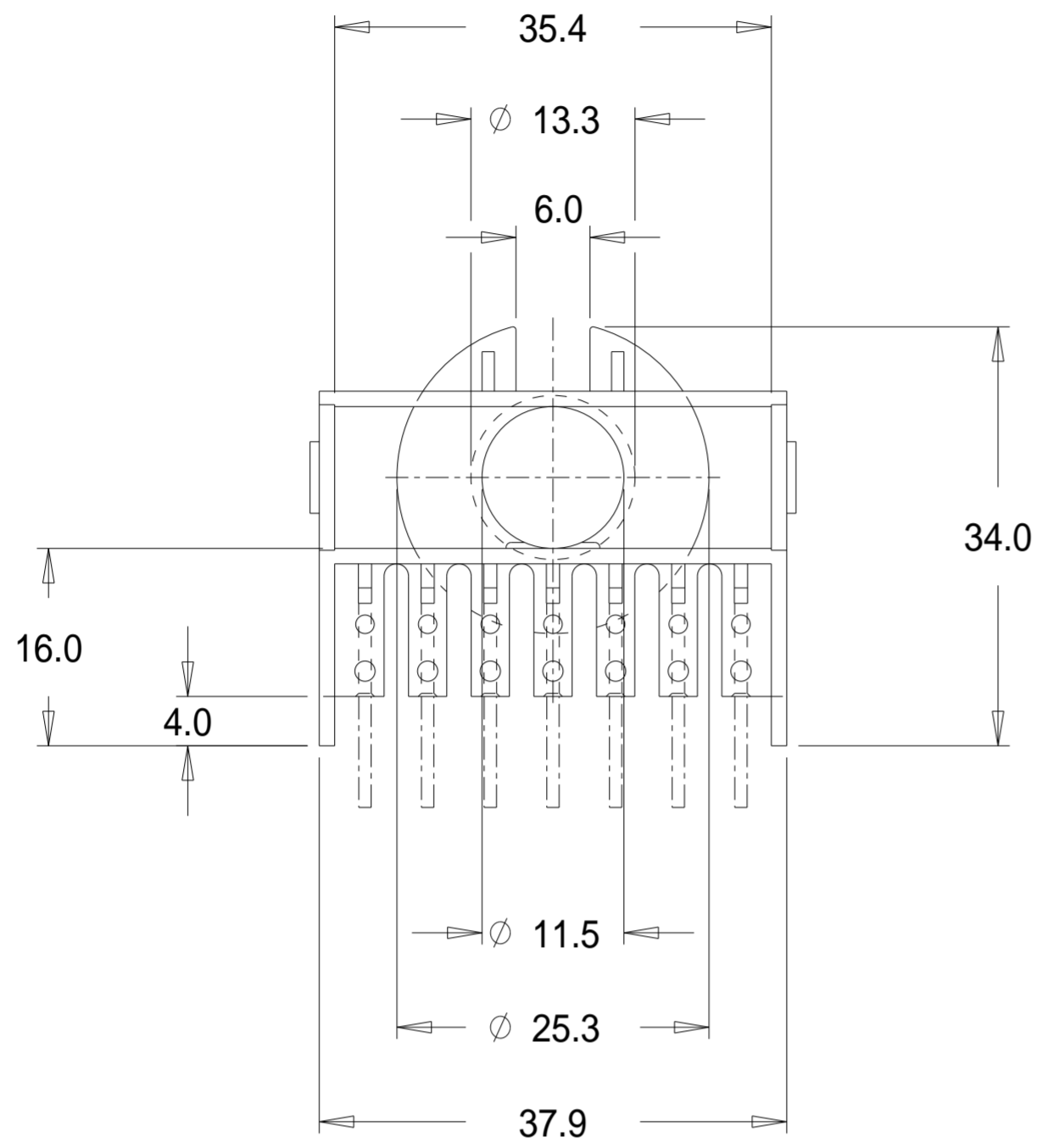


# Part No. FD7000

## ETD 34/17/11 Horizontal Bobbin



Dimensions in millimetres.

