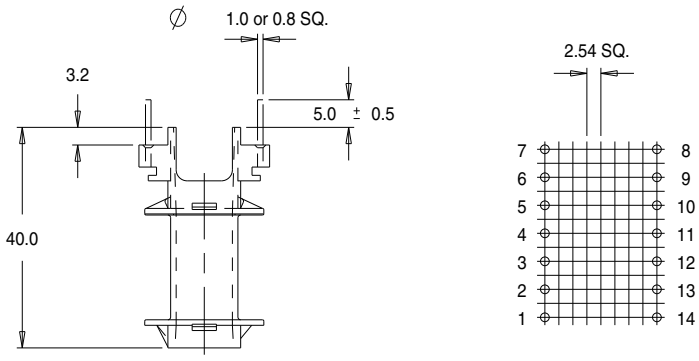
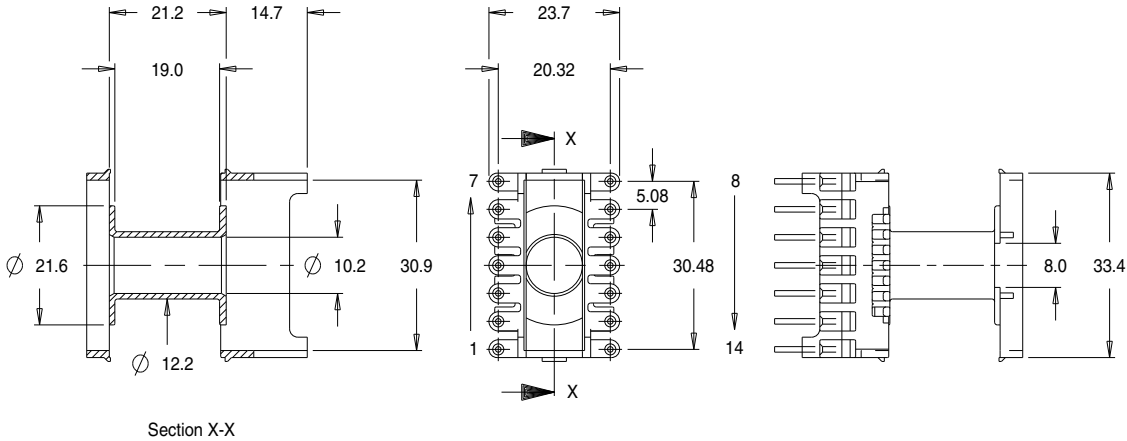


Part No. FD9631  
 ETD 29/16/10 Vertical Bobbin



Dimensions in millimetres.

